



### Applications

- 5.1GHz/5.5GHz/5.8GHz WLAN
- 5GHz WiMax System
- Wireless Bridge

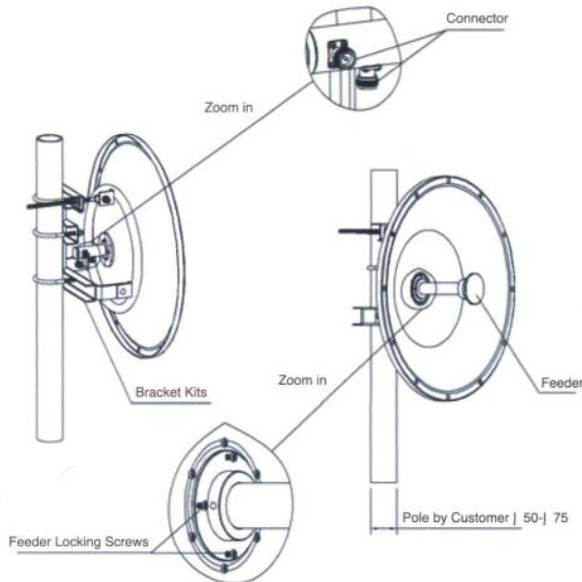
### Features

- High Gain, Large F/B Ratio
- High Precise Parabolic Dish
- UV-Coated Aluminium Alloy
- V/H Dual Polarization
- Standard Mounting Kits

### Install Sketch

### Specifications

Model	TDJ-5758P9Ax2
Freq. Range-MHz	5150 ~ 5850
Bandwidth-MHz	700
Gain-dBi	32.5
Ver. Beamwidth-°	3.5
Hor. Beamwidth-°	3.5
F/B Ratio-dB	≥40
Isolation-dB	≥28
VSWR	≤1.5
Impedance-Ω	50
Polarization	Vertical and Horizontal
Max. Power-W	100
Connector Type	N Female / N Female
Caliber Size-m	φ0.9
Weight-Kg	10.5
Pole Diameter-mm	φ50 ~ 75



### Installation:

1. Fixing mounting kits and feeder to parabolic dish, notice the polarization mark.
2. Installing assistant bracket, then install antenna above the assistant bracket, not fixing screws of the mounting kits.
3. To make the received signal maximum by adjusting antenna's azimuth and elevation, then fix screws of the mounting kits and move the assistant bracket to the illustrated place.
4. Antenna is work at V/H dual polarization mode. Antenna's polarization can be adjusted by rotating the feeder. When the connector is vertical, antenna work at vertical polarization mode, otherwise at horizontal polarization mode.

